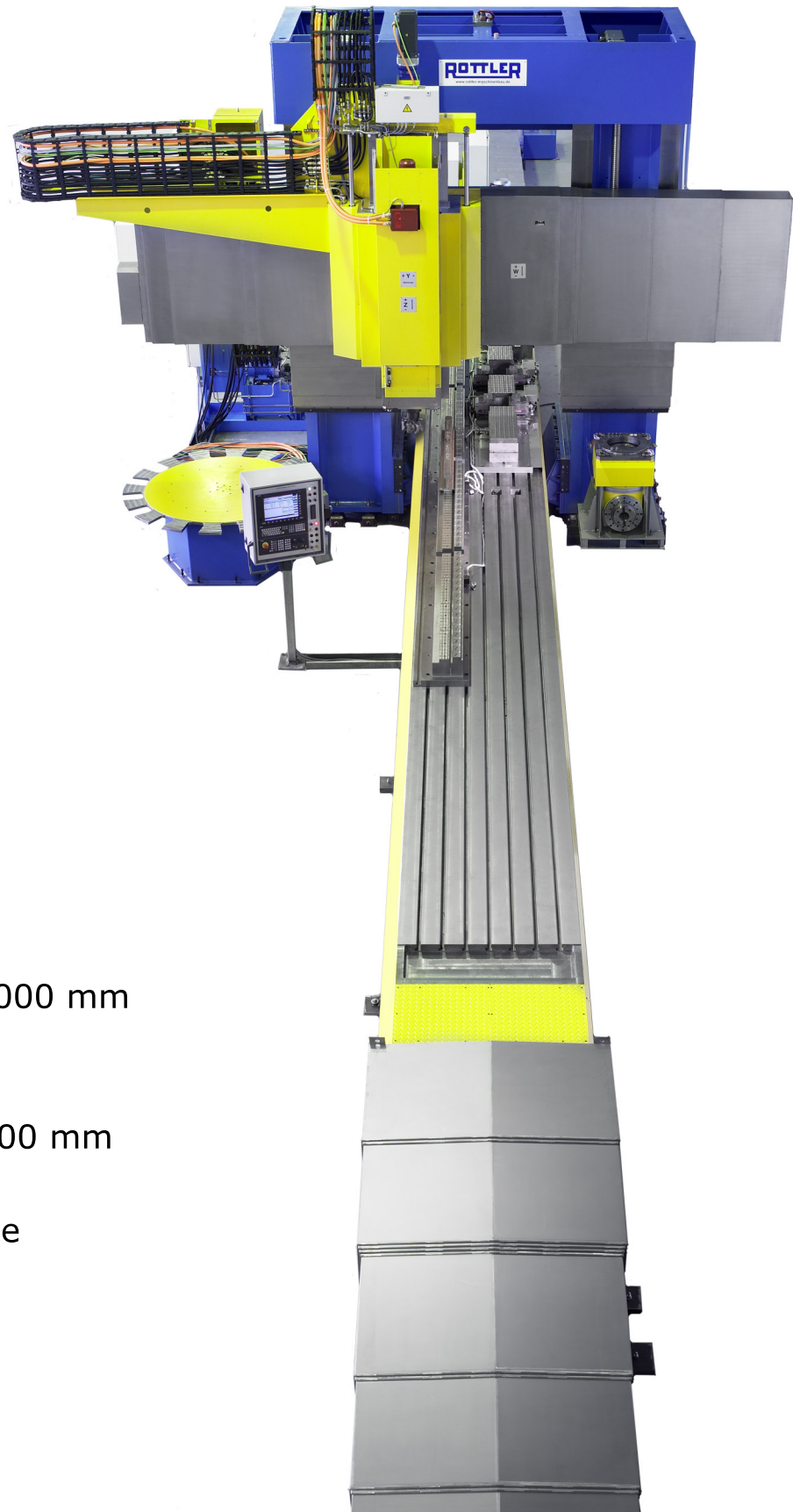


Portal Milling Machine

PFM 137

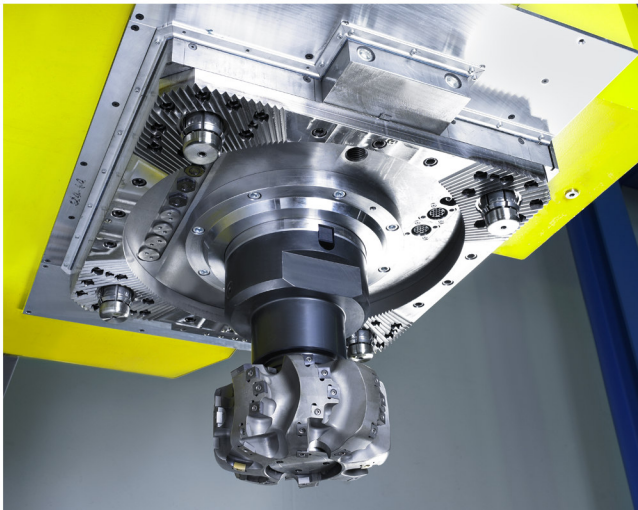


specification:

- gantry or table-typ
- table size 5.000 mm x 25.000 mm
- max. power 137 kW
- max. torque 5.250 Nm
- RAM-cross section 600 x 600 mm
- toolholder SK 60
- RAM with integrated spindle

Portal Milling Machine

PFM 137



Tool in vertical spindle



RAM with milling head



Machining of rails